

SILVERBACK™

The PTFE and Stainless Steel Gasket

This special blend of 50/50, PTFE and 316 passivated stainless steel has been tested and proven to add stability and longevity to your process piping systems. These new components are especially useful in S.I.P. systems preventing downtime and lowering maintenance needs.

SILVERBACK™ is the strongest compound on the market today.

SILVERBACK™ easily outperforms standard gaskets made with Teflon® under even the most demanding pharmaceutical applications. In fact, SILVERBACK™ lasts up to five times longer in most applications.

Prevents System Downtime

The unparalleled strength of SILVERBACK™ eliminates maintenance needs and helps prevent system downtime by eliminating cold flow creep. This makes SILVERBACK™ ideal for sanitary steam pipe connections in both extreme cold (down to -20°F) and hot conditions (up to 450°F). SILVERBACK™ gaskets are available in standard sizes, from 1/2" to 12" diameter, to service virtually any S.I.P. application.

PROPERTY	ASTM METHOD	VALUE
Specific Gravity	D792	3.30
Tensile Strength	D4894	2791psi
Elongation @ Break	D4894	207%
Compressive Stress @ 1%	D695	832
Compressive Stress @ 5%	D695	2590
Hardness	D2240	68
Temperature Low	Continuous	-20° F
Temperature High	Continuous	450° F

® Teflon is a registered trademark of DuPont.

™ Silverback is a trademark of Newman Sanitary Gasket Company

Meets High Pharmaceutical Standards

- USP Class VI
- Cytotoxicity Criteria
- ASME-BPE Standards

Available in Sizes:

1/2", 3/4", 1", 1 1/2", 2", 2 1/2", 3", 4", 6", 8", 10" and 12"

SILVERBACK™ is tough under S.I.P. conditions:

- Superior creep resistance
- Minimal thermal expansion
- Excellent chemical resistance
- No pigmentation
- Passivated to eliminate rouging
- Stops leaks when torqued correctly (50 in./lbs.)
- No gasket extrusion into the sanitary tube I.D.
- No obstruction of flow
- Non-stick surfaces
- Excellent expansion and contraction stability
- I.D. Pharmaceutical finish

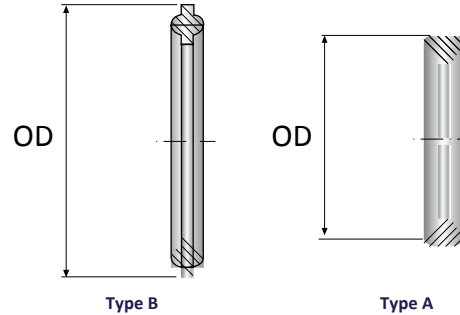


Type TC

Tri-Clamp Style Gasket STANDARD

Nomimal Size In.	OD		Type	Ordering Code
	in.	mm		
1/2"	1"	12,70	A	15-TC/*
3/4"	1"	19,05	A	20-TC/*
1" A	1 1/4"	25,00	A	25-TC/*
1"	2"	25,00	B	25-TC/*
1 1/2"	2"	50,80	B	38-TC/*
2"	2 1/2"	51,00	B	51-TC/*
2 1/2"	3"	101,6	B	63-TC/*
3"	3 1/2"	76,00	B	76-TC/*
4"	4 1/2"	100,0	B	100-TC/*
6"	6 1/2"	150,0	B	150-TC/*

*For choosing materials, see the table below

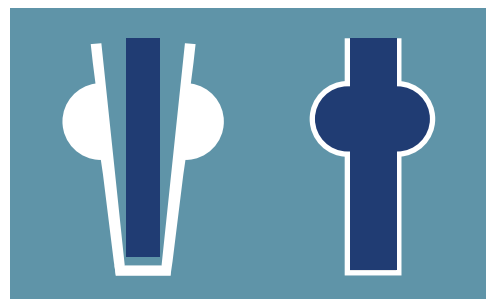


Material	Standard Code
EPDM Black FDA	EP
EPDM White FDA	EP/W
Silicone FDA	Sil
Silicone White FDA	Sil/W
Viton Black FDA	FPM
Viton White FDA	FPM/W
Teflon FDA	PTFE
Envelop-EPDM FDA	MP-GR-EP
Envelop-Viton FDA	MP-GR-V
Silverback	SB

*CLASS VI available on request

Type III
Envelope
Gasket

ORCA™
Encapsulated
Gasket



SealingSystems

19 Perissou St. 14 343 N.Chalkidona
Athens Greece

Tel. 030 - 2108312002

e-mail: info@sealingsystems.gr

www.sealingsystems.gr